

Side Frame Adapter

On some beds the bed frame is hidden underneath the mattress support platform which makes traditional mounting of the VENDLET impossible.

This bracket makes it possible to install the VENDLET on beds with bed frames hidden underneath the mattress support platform.



This bracket is only for up to 250 kg VENDLET systems

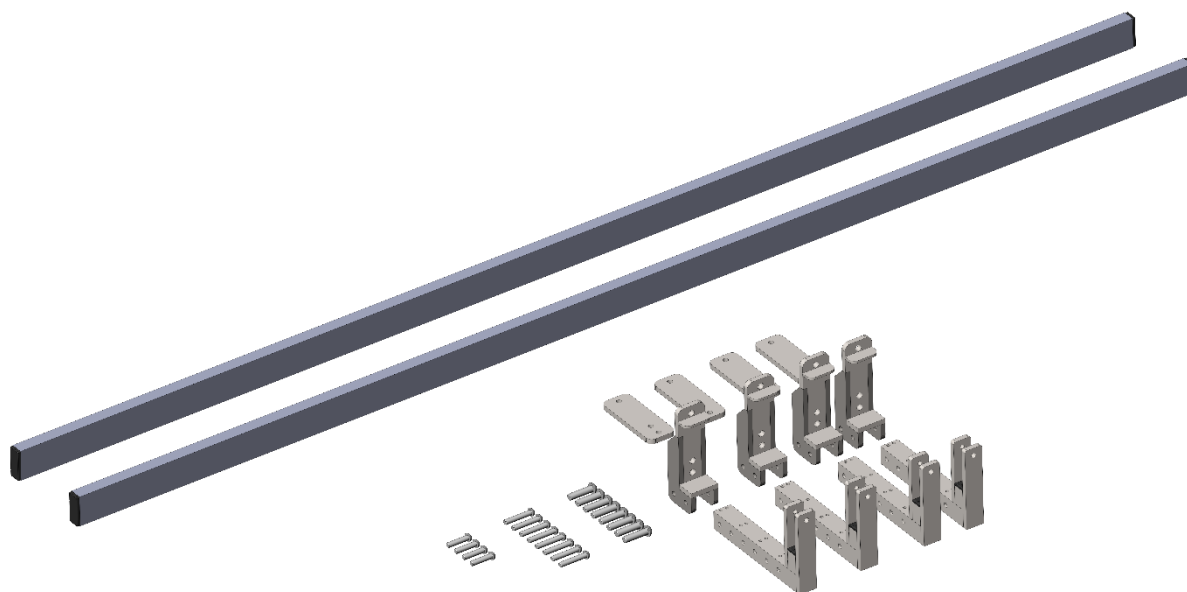
Warning: The SWL for the bed is reduced by the weight of the Side Frame Adapter

Still observe distance requirements

The Side Frame Adapter weighs in total 16,4 kg., has 5 different positions in increments of 3 cm at a time and provides mounting positions in the range of 6 cm to 18 cm relative to the bedframe.

The kit includes:

- 2 pcs. of 50x20 mm square tube
- 4 sets of complete mounting brackets for the frame
- 8 pcs. of M10x40 bolts for the bracket
- 8 pcs. of M8x45 bolts for bracket
- 4 pcs. of M8x35 bolts for mounting the 50x20 mm square tube



Installation instructions

The Side Frame Adapter is mounted as shown below. The red frame symbolizes the bed frame where the bracket is mounted.

