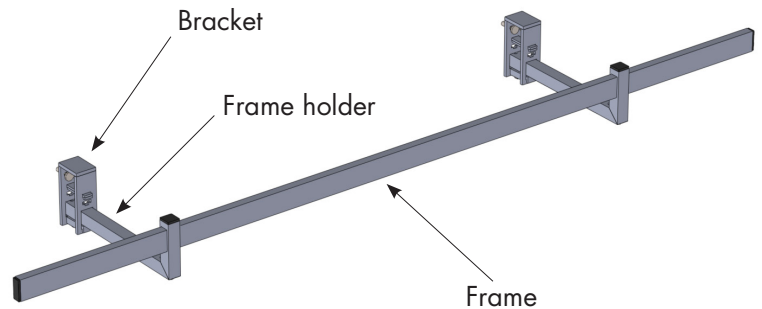


MOUNTING MULTI BRACKET ON OCTAVE

Multi bracket is a bracket that can be fitted to Octave beds that do not have an accessible steel frame that VENDLET can be mounted upon.

By using Multi Bracket a steel bed frame is created on which VENDLET V5S/VENDLET V5S+ can be mounted.

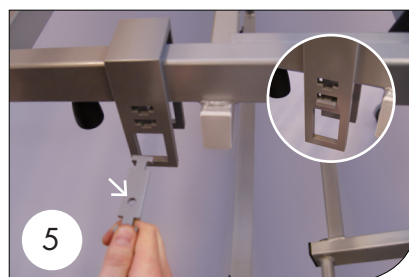


NB:
Multi Bracket increases the VENDLET system's weight by 20.2 kilos.

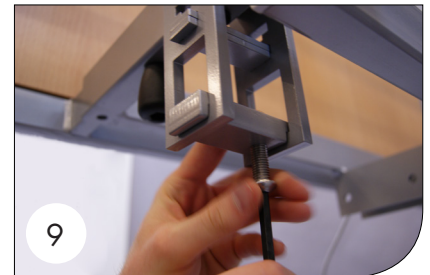
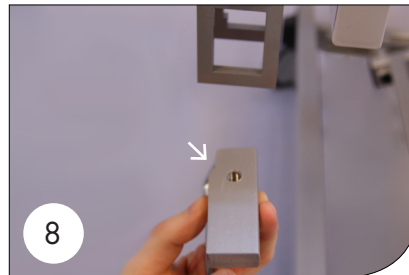
Mounting instructions



1. Mount 4 x M10 bolts with heads uppermost in the 2 brackets. **2.** Press the feet against the bolt heads. **3.** Place the two brackets 20 cm from the headboard and footboard, respectively.



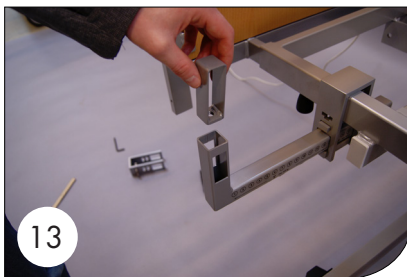
4. Lightly tighten the 4 bolts. **5.** Mount the perforated plate as illustrated, with the hole closest to you. **6.** Place the threaded plate on top of the perforated plate with the thread closest to you.



7. Fit the M8 bolt for feet in the 2 plates and attach foot. Tighten bolts. (It is easiest to attach the foot if it sits loosely on the bolt head, after which the bolt is screwed upwards). **8.** Attach the clamp plate as shown. Note the tap! **9.** Attach the M10x25 button head bolt as shown. Only turn the bolt a couple of times.



10. Mount the frame holder in the centre of hole 14 in the bracket. **11.** Screw button head bolt under the bracket tightly. **12.** Screw the two screws at the top of the bracket tightly. (No. 4).



13. Attach the frame clamp as shown. **14.** Attach the frame as shown. 35 mm distance to the headboard. Start at the foot of the bed. **15.** Mount M10x50 button head bolt and fasten frame tightly at the head and foot ends.



16. Attach plastic plugs.

17. Repeat steps 1 to 16 on the opposite bed side.

18. The VENDLET V5S / V5S+ can now be mounted on the frames according to the instructions in the manual.

When mounting on Octave please use:
 1 x Extension cable (item no: 6000045).
 1 x Actuator turn fitting (item no: 1880100).
 The actuator turn fitting must be mounted at the foot end of the blue side.